

### Surface Mount Switching Diodes

**(Pb)** Lead(Pb)-Free

#### Feature:

- \* Extremely High Switching Speed
- \* Low Reverse Leakage Current
- \* High Reliability
- \* Small Outline Surface Mount SOD-723 Package

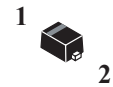
#### Applications:

- \* High Speed Switching

**SWITCHING DIODES**

**100m AMPERES**

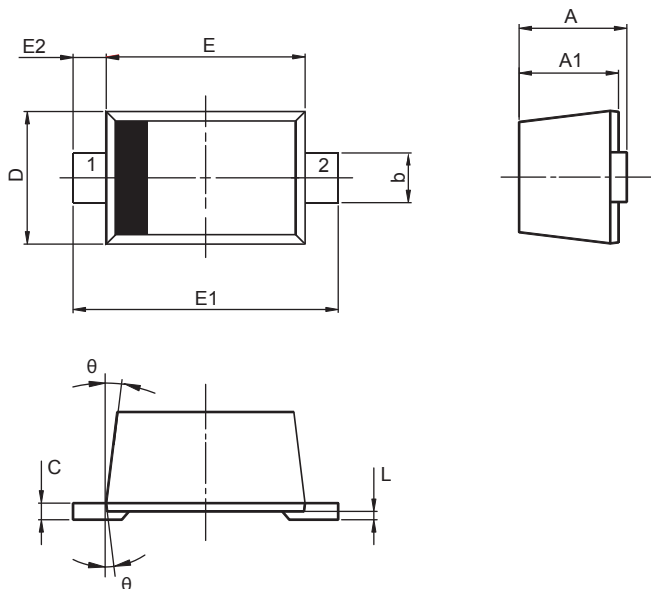
**90 VOLTS**



**SOD-723**

### SOD-723 Outline Dimensions

Unit:mm



SOD-723		
Dim	Min	Max
A	0.525	0.650
A1	0.515	0.580
b	0.250	0.350
c	0.080	0.150
D	0.550	0.650
E	0.900	1.100
E1	1.300	1.500
E2	0.200 REF	
L	0.010	0.070
$\theta$	7° REF	

PIN 1. CATHODE  
2. ANODE

# 1SS400G



## Maximum Ratings (T<sub>A</sub>=25°C Unless otherwise noted)

Characteristic	Symbol	Value	Unit
Peak Reverse Voltage	V <sub>RM</sub>	90	Volts
DC Reverse Voltage	V <sub>R</sub>	80	Volts
Average Rectifier Forward Current	I <sub>F(AV)</sub>	100	mA
Peak Forward Surge Current @t=1S	I <sub>FSM</sub>	500	mA
Junction Temperature	T <sub>j</sub>	150	°C
Storage Temperature	T <sub>stg</sub>	-55 + 150	°C

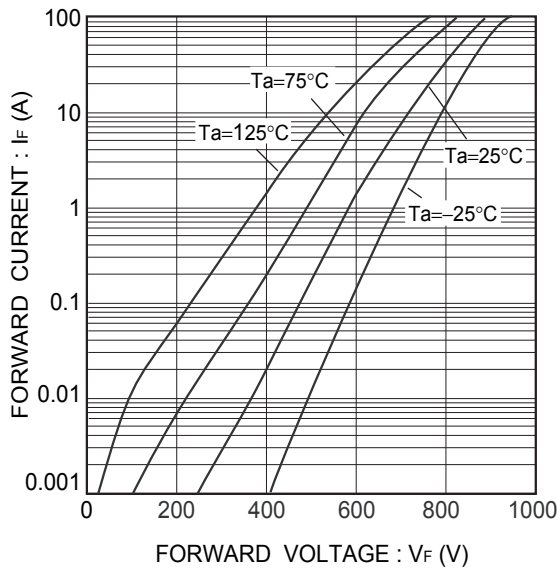
## Electrical Characteristics (T<sub>A</sub>=25°C Unless otherwise noted)

Characteristic	Symbol	Min	Max	Unit
Forward Voltage I <sub>F</sub> =100mA	V <sub>F</sub>	—	1.2	Volts
Reverse Leakage V <sub>R</sub> =80V	I <sub>R</sub>	—	0.1	uAdc
Capacitance Between Terminals V <sub>R</sub> =0.5V, f=1MHz	C <sub>T</sub>	—	3.0	PF
Reverse Recovery Time V <sub>R</sub> =6V, I <sub>F</sub> =10mA, R <sub>L</sub> =100Ω	T <sub>rr</sub>	—	4.0	ns

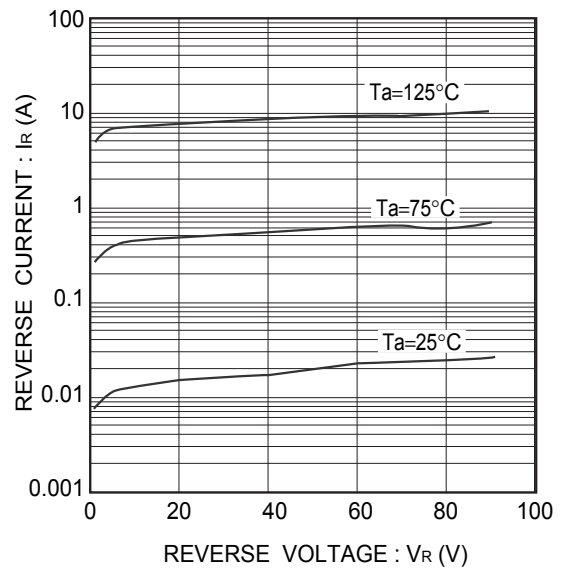
## Device Marking

Item	Marking	Equivalent Circuit diagram
1SS400G	3	

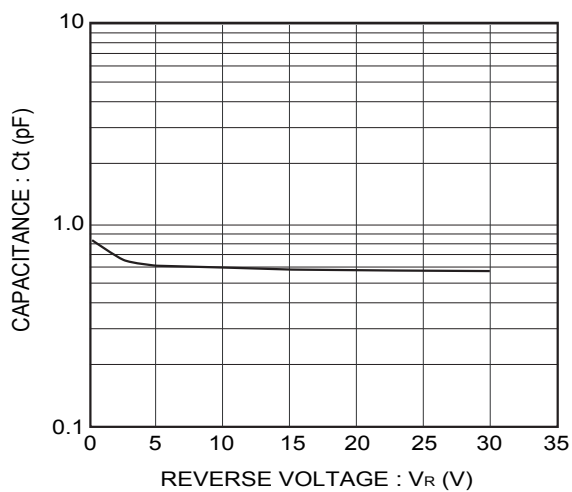
## Electrical Characteristics Curves( $T_A=25^\circ\text{C}$ )



**FIG.1 Forward Characteristics**



**FIG.2 Reverse Characteristics**



**FIG.3 Characteristics**